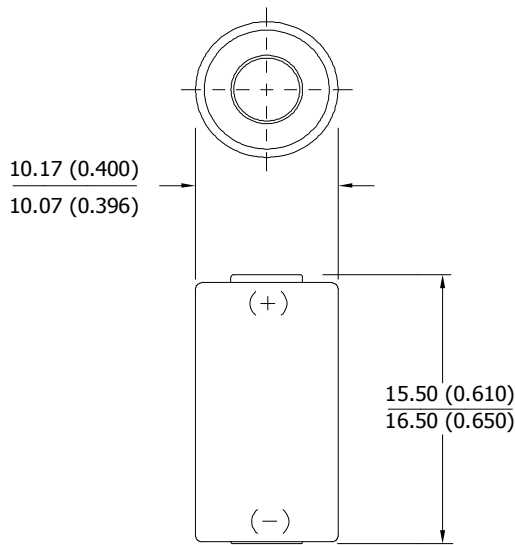


# ENERGIZER A11

**Miniature Alkaline**



## Industry Standard Dimensions



## Specifications

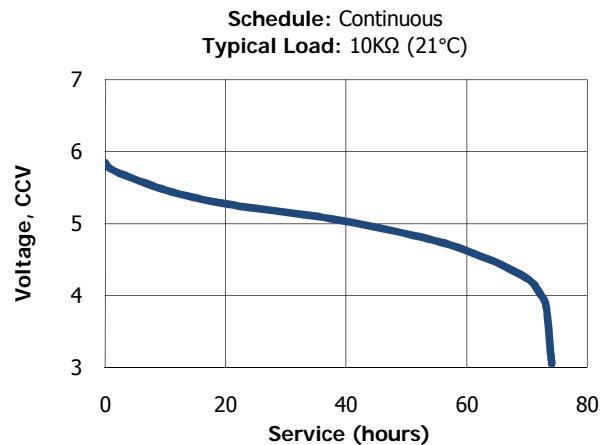
|                          |  |
|--------------------------|--|
| <b>Classification:</b>   | "Miniature Alkaline"                               |
| <b>Chemical System:</b>  | Manganese Dioxide (MnO <sub>2</sub> )              |
| <b>Designation:</b>      | N/A  |
| <b>Nominal Voltage:</b>  | 6.0 volts  |
| <b>Typical Capacity:</b> | 38 mAh to 3.0 volts<br>(rated at 10k ohms at 21°C) |
| <b>Typical Weight:</b>   | 4.0 grams  |
| <b>Jacket:</b>           | Metal  |

## Typical Discharge Durations

21°C

| Schedule (time) | Drain (mA) | Load (ohms) | Cutoff Voltage |              |              |
|-----------------|------------|-------------|----------------|--------------|--------------|
|                 |            |             | 5.6V (hours)   | 4.8V (hours) | 3.0V (hours) |
| Continuous      | 0.5        | 10K         | 5.6            | 56           | 74           |

## Discharge Characteristics



### Important Notice

This datasheet contains typical information specific to products manufactured at the time of its publication.  
©Energizer Holdings, Inc. - Contents herein do not constitute a warranty.