

# MAX PLUS EP92

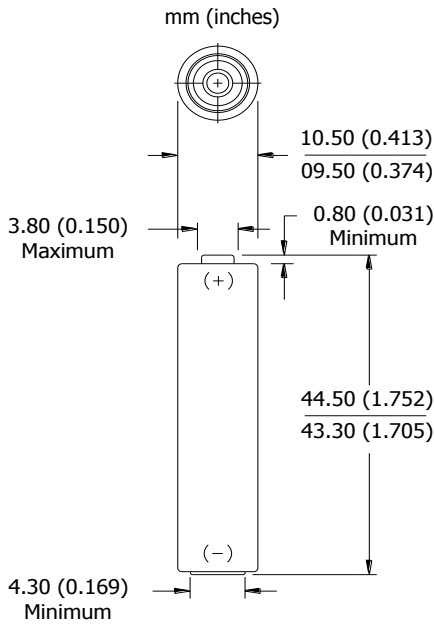
**AAA**



## Specifications

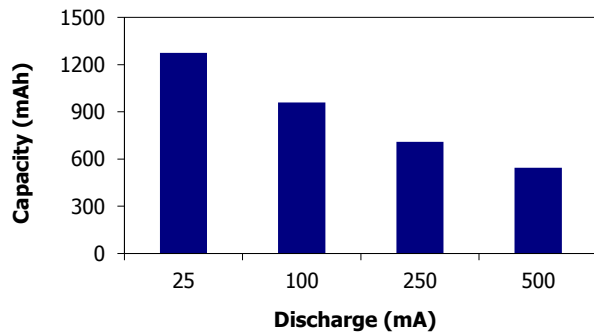
|                         |  |
|-------------------------|--|
| <b>Classification:</b>  | Alkaline   |
| <b>Chemical System:</b> | Zinc-Manganese Dioxide (Zn/MnO <sub>2</sub> )<br>No added mercury or cadmium |
| <b>Designation:</b>     | ANSI-24A, IEC-LR03   |
| <b>Nominal Voltage:</b> | 1.5 volts  |
| <b>Nominal IR:</b>      | 150 to 300 milliohms (fresh)   |
| <b>Operating Temp:</b>  | -18°C to 55°C (0°F to 130°F)   |
| <b>Typical Weight:</b>  | 11.5 grams (0.4 oz.)   |
| <b>Typical Volume:</b>  | 3.8 cubic centimeters (0.2 cubic inch)                                       |
| <b>Jacket:</b>          | Plastic Label  |
| <b>Shelf Life:</b>      | 12 years at 21°C   |
| <b>Terminal:</b>        | Flat Contact   |

## Industry Standard Dimensions

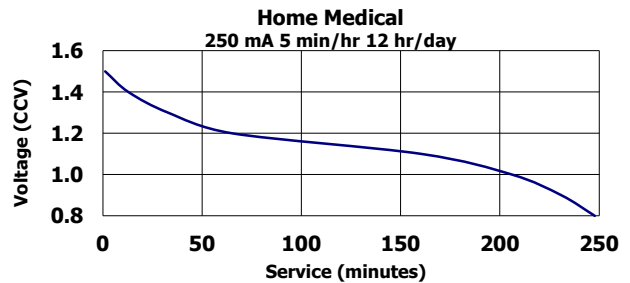
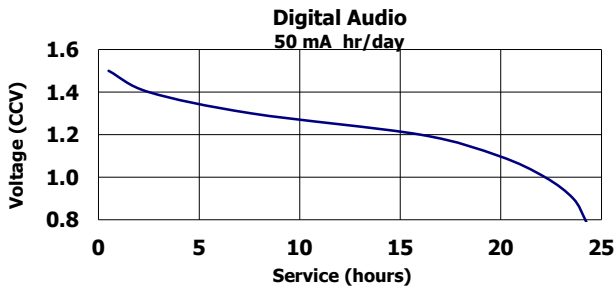
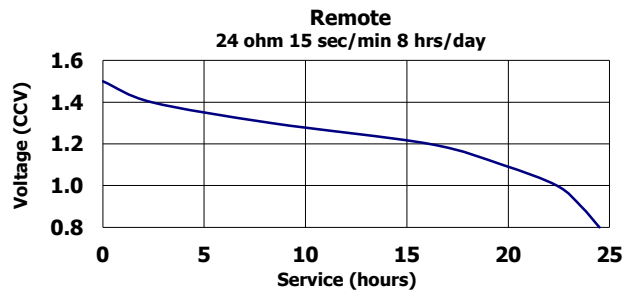
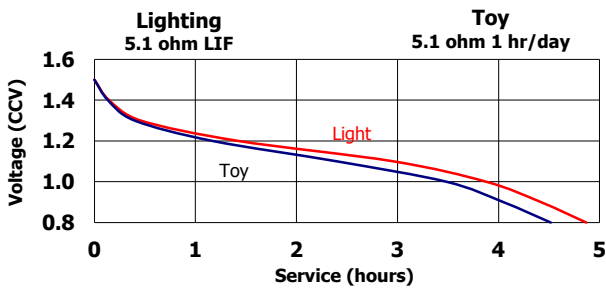


## Milliamp-Hours Capacity

Continuous discharge to 0.8 volts at 21°C



## Industry Standard Tests (21°C)



### Important Notice

This datasheet contains typical information specific to products manufactured at the time of its publication. Contents herein do not constitute a warranty and are for reference only.