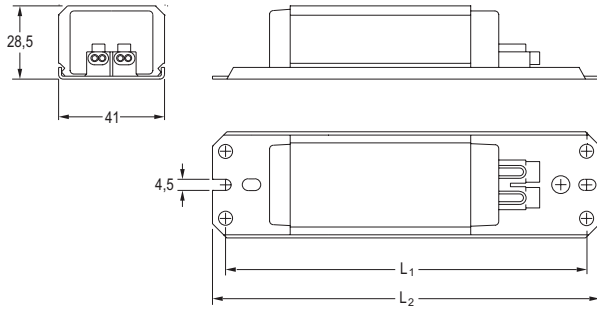


Ballasts for tubular fluorescent lamps

Reactancias para lámparas fluorescentes tubulares



| Model Modelo | Ref. No. | | Lamp Lámpara | | | $\Delta t/\Delta t_{an}$ K | Power factor Factor de potencia λ | Dimensions Dimensiones | | Wiring diagram Esquema conexión nº | Index Índice EEI | Approvals Homologaciones |
|-----------------|-----------------------------------|-------------------------------------|---------------------|---------------|-------------------------|-------------------------------|---|---------------------------|----------------------|--|------------------------|-----------------------------|
| | Screw connect. Conex. Tornillo | Push-wire connect. Conex. Rápida | Power Potencia W | Cap Casquillo | Current Intensidad A | | | L ₁ mm | L ₂ mm | | | |
| | | | | | | | | | | | | |
| AC1 15/24-SC | 1112891 | 1112890 | 15 | G13 | 0,330 | 50/95 | 0,29 | 129 | 150 | 1-2 | B2 | |
| AC1 2/24-B2-SC | 1113046 | 1113057 | 18 20 | G13 G13 | 0,370 0,370 | 55/100 | 0,30 | 129 | 150 | 1-2 | B2 | |
| AC1 25/24-SC | - | 1112910 | 25 | G13 | 0,290 | 50/100 | 0,44 | 129 | 150 | 1-2 | B2 | |
| AC1 3/24-SC | 1112923 | 1112920 | 30 2x15 | G13 G13 | 0,365 0,330 | 60/130 | 0,47 | 129 | 150 | 1-2 3 | B2 | |
| AC1 32/24-B2-SC | 1112931 | 1112574 | 32 | G10q | 0,450 | 55/160 | 0,40 | 175 | 190 | 1-2 | B2 | |
| AC1 4/24-B2-SC | 1112493 | 1113069 | 36 40 | G13 G13 | 0,430 0,430 | 55/160 | 0,44 | 129 | 150 | 1-2 | B2 | |
| | | | 2x18 2x20 | G13 G13 | 0,370 0,370 | | 0,51 | | | 3 | | |
| | | | 58 65 | G13 G13 | 0,670 0,670 | | 55/140 | | | 0,44 | | |

- ~ Ballasts for built-in use. Indoor use.
- ~ Vacuum impregnated in polyester resin.
- ~ Thermal class tw=130°C.
- ~ Available with push wire (0,5-1 mm²) or screw connection (2,5 mm²).
- ~ Further types on request.
- ~ Earth connection upon request.
- ~ Available with push wire connection for automatic wiring by robot type ALF.

Packaging and weight pag. 278 and www.elt.es/productos/packaging_EL.T.pdf

- ~ Reactancias para incorporar. Uso interior.
- ~ Impregnadas al vacío en resina de poliéster.
- ~ Clase térmica tw=130°C.
- ~ Disponibles con clema de conexión rápida. (0,5-1 mm²) o por tornillo (2,5 mm²).
- ~ Otros tipos bajo demanda.
- ~ Bajo pedido se suministrarán con toma tierra.
- ~ Disponible bajo demanda con clema de inserción para el cableado automático.

Embalaje y peso pag. 278 y www.elt.es/productos/embalaje_EL.T.pdf



EN-61347-2-8
EN-60921

