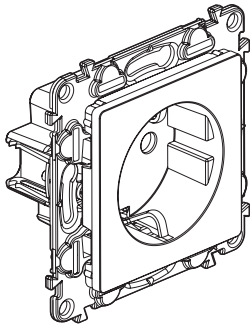
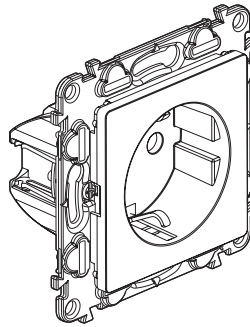


Valena™ Life - Valena™ INMATIC
Socket outlets - German standard

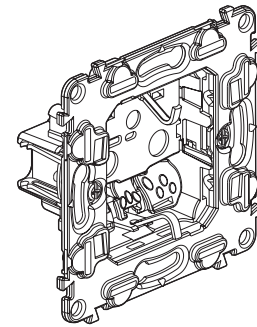
Cat. No.(s): 7 531 08/09/15/20/21/22/23/24/25/28/29/31
7 532 08/09/15/20/21/22/23/24/25/28/29 - 7 533 08/09/15/20/21/22/23/24/25/28/29
7 530 20/21/24/25/28



7 531 20



7 531 28



7 530 21

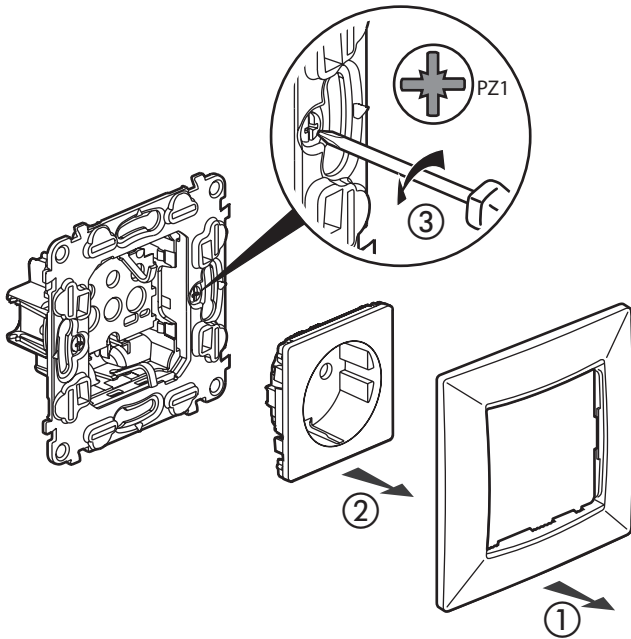
1. USE

German standard 16 A - 250 V~ socket outlets with shutters.
Mechanisms supplied with protection cover.
To be equipped with plates.
Flush-mounting or surface-mounting.
Screw or claw fixing.

2. RANGE

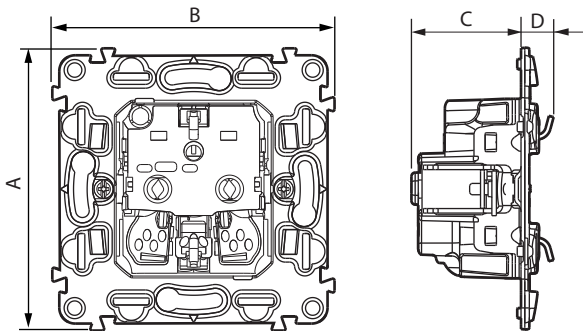
Description	Mechanism + Cover plate			Mechanism only	Cover plate only		
	White	Ivory	Aluminium		White	Ivory	Aluminium
2 P+E socket - flat	7 531 15	7 532 15	7 533 15	-	-	-	-
2 P+E socket	7 531 09/20	7 532 09/20	7 533 09/20	7 530 20	-	-	-
2 P+E socket with flap	-	-	-	-	7 548 40	7 548 41	7 548 42
2 P+E socket with indicator Cat. No. 6 650 91	-	-	-	-	7 548 50	7 548 51	7 548 52
2 P+E socket without shutters	7 531 08/21	7 532 08/21	7 533 08/ 21	7 530 21	-	-	-
2 P+E socket without shutters with flap	-	-	-	-	7 548 40	7 548 41	7 548 42
2 P+E socket without shutters with indicator Cat. No. 6 650 91	-	-	-	-	7 548 50	7 548 51	7 548 52
2 x 2 P+E prewired socket Supplied with multimaterial box Batibox	7 531 22	7 532 22	7 533 22	-	-	-	-
3 x 2 P+E prewired socket Supplied with multimaterial box Batibox	7 531 23	7 532 23	7 533 23	-	-	-	-
2 P+E socket	7 531 24	7 532 24	7 533 24	7 530 24	-	-	-
2 P+E socket without shutters	7 531 25	7 532 25	7 533 25	7 530 25	-	-	-
2 P+E socket without shutters with flap	-	-	-	-	7 548 40	7 548 41	7 548 42
2 P+E socket without shutters with indicator Cat. No. 6 650 91	-	-	-	-	7 548 50	7 548 51	7 548 52
2 P+E socket high capacity - Special transplanting Allows connection up 3 wires in 2.5 mm ²	7 531 28	7 532 28	7 533 28	7 530 28	-	-	-
2 P+E socket (colour)	7 531 29 with red cover plate	7 532 29 with orange cover plate	7 533 29 with green cover plate	-	-	-	-
2 P+E socket - Tamperproof	7 531 31 with red cover plate	-	-	-	-	-	-

3. DISMANTLING

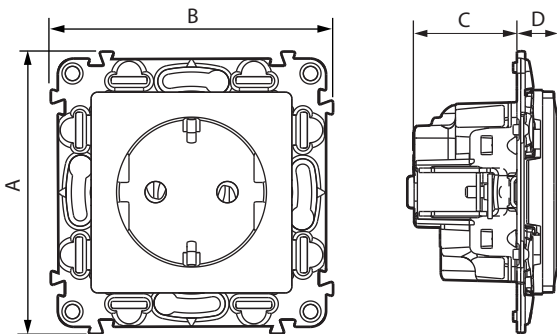


4. OVERALL DIMENSIONST (mm)

Cat No: 7 530 21

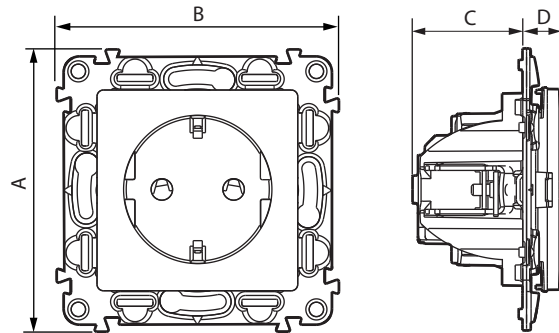


Cat No: 7 531 20



4. OVERALL DIMENSIONS (mm) (continued)

Cat No: 7 531 28



References	A	B	C	D
7 530 20/24/25	75	75	29	9
7 530 21	75	75	29	9
7 530 28	75	75	29.5	7
7 531 15 - 7 532 15 - 7 533 15	75	75	33.5	10
7 531 08/09/20/21/24/29 7 532 08/09/20/21/24/29 7 533 08/09/20/21/24/29	75	75	29	11
7 531 22 - 7 532 22 - 7 533 22	146	71	33.5	10
7 531 23 - 7 532 23 - 7 533 23	217	71	33.5	10
7 531 25 - 7 532 25 - 7 533 25	75	75	29	11
7 531 28 - 7 532 28 - 7 533 28	75	75	29	10
7 531 31	75	75	27.5	10

5. CONNECTION

• Cat. Nos. 7 530 20/21

7 531 08/09/15/20/21/22/23/29

7 532 08/09/15/20/21/22/23/29

7 533 08/09/15/20/21/22/23/29

Automatic terminals

Capacity: 2 x 2.5 mm²

Stripping length: 13 mm

Flexible or rigid cables compatible

• Cat. Nos. 7 530 24/25/28 - 7 531 24/25/28/31

7 532 24/25/28 - 7 533 24/25/28

Screw terminals

- For Ref. 7 530 28 - 7 531 28 - 7 532 28 - 7 533 28 :

Capacity: 1 x 6 mm² - 2 x 4 mm² - 3 x 2.5 mm²

- For other Ref.:

Capacity: 2 x 2.5 mm²

Tightening torque: 0.8 Nm

Stripping length: 13 mm

Screwdriver: Posidrive 1, Philips 1, flat 4 mm

Flexible or rigid cables compatible

6. TECHNICAL CHARACTERISTICS

■ **6.1 Mechanical characteristics**

Protection against solid bodies and liquids: IP 20
 Protection against impact: IK 04

■ **6.2 Material characteristics**

Polygloss appearance

Colour: - White RAL 9003
 - Ivory RAL 1013
 - Aluminium

Material: - Plate ABS

- Socket cover plate: Polycarbonate
- Halogen free
- UV resistant

Self-extinguishing:

+ 850° C / 30 s for insulating parts holding live parts in place
 + 650° C / 30 s for other parts made of insulating materials

■ **6.3 Electrical characteristics**

Voltage: 250 V~

Current: 16 A

Frequency: 50/60 Hz

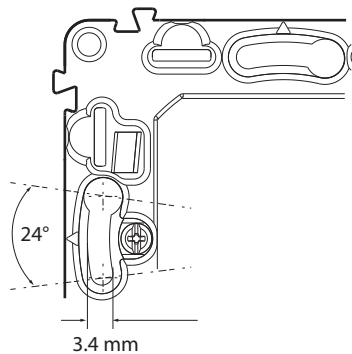
■ **6.4 Climatic characteristics**

Storage and use temperature: - 5° C to + 35° C

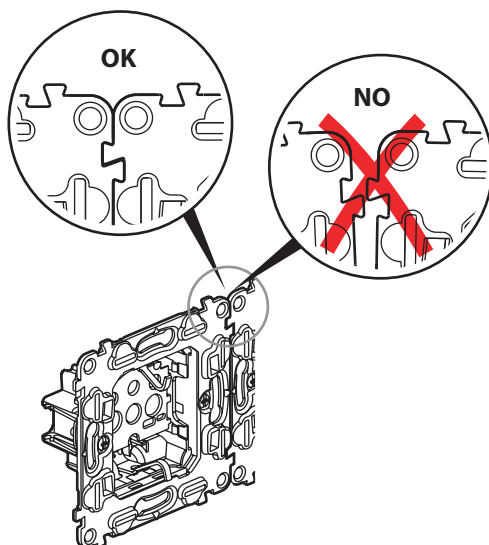
■ **6.5 Support**

Material of the support: - Polycarbonate grey RAL 737 + Metal
 - Halogen free

Angular adjusting:



Locking support:

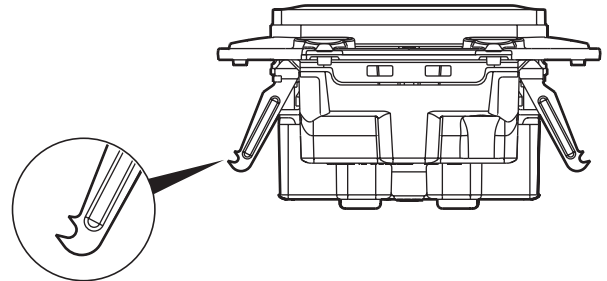


6. TECHNICAL CHARACTERISTICS (continued)

■ **6.6 Fixing with claws**

Number of turns to open the claws:

- 58 mm > 2.1 turns
- 65 mm > 2.75 turns



Performance of double teeth claws: extraction resistance: 200-226 N

7. MAINTENANCE

Surface cleaning with a cloth.

Do not use: acetone, tar remover, trichloroethylene.

Maintenance with the following products: Hexane (EN 60669-1), Methylated spirit, Soapy water, Diluted ammonia, Bleach diluted to 10%, Window-cleaning products.

Caution: A preliminary test should be carried out if other specific cleaning products are to be used.

8. STANDARDS AND APPROVALS

Compliance with standards of installation and manufacturing.

Refer to e. catalogue.