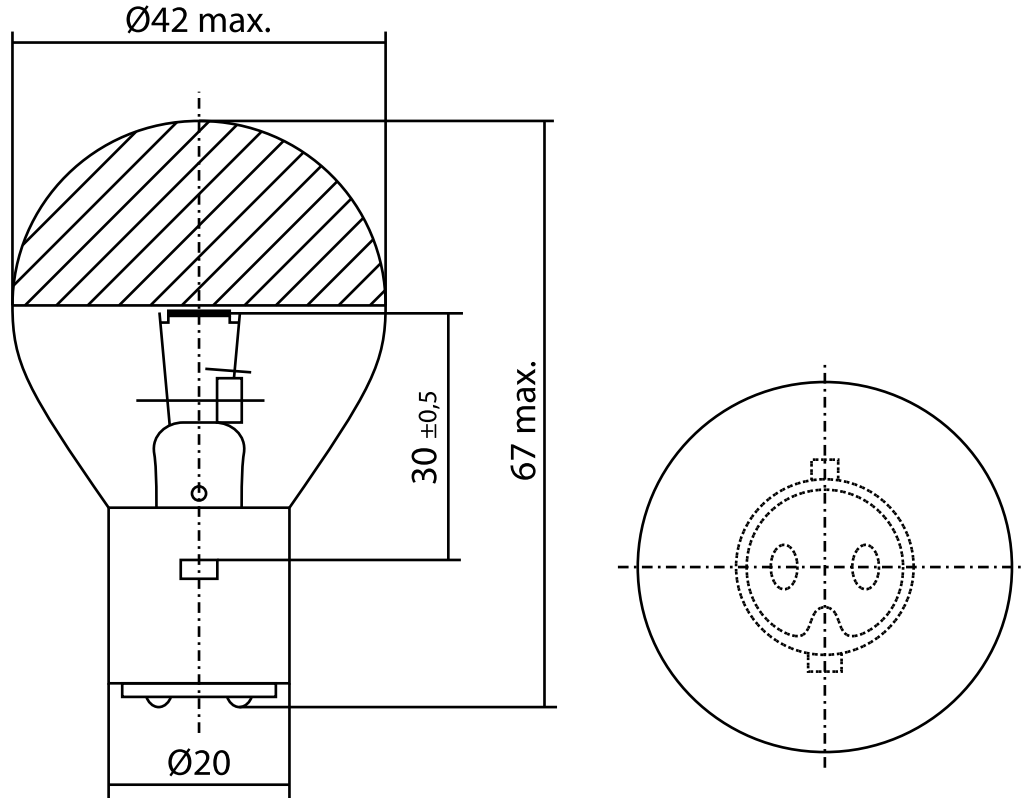


INDUSTRIAL SPECIALTY LIGHTING

Industrial medical - Datasheet



MEDICAL LAMPS - 24V 50W BA20D DR. FISCHER

PRODUCT NUMBER	302935043	[]	Tol.
VOLTAGE	24	V	
WATTAGE	50	W	± 8
LUMEN OUTPUT	450	LM	± 12
LUMEN PRO WATT	10	LM/W	
AVERAGE LIFE	1000	H	
BASE	BA20D	/	
REMARKS	88-916-02		
BRAND	DR. FISCHER		



MEDICAL



ENTERTAINMENT



TRAFFIC



MARINE



RAILWAY



AIRFIELD



VARIOUS



TAILOR MADE



IR / UV



PROJECTION