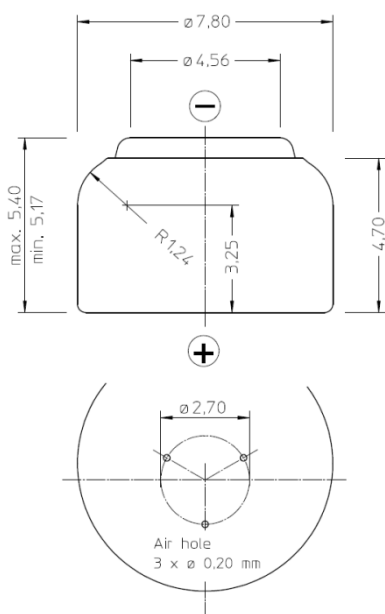


mercury free

ecopack

Data sheet 13 mercury free



Specifications:

Chemical system:	Zinc / Air
Nominal voltage:	1,45 V
Standard Capacity:	285 mAh**
Impedance:	max. 6 Ω @ 1kHz
Weight:	approx 0,83 g
Volume:	approx 0,26 ccm
Storage:	10-30° C / 20-80 % r.h.
Operating:	0-45° C / 25-70 % r.h.
Short Exposition:	-10-65° C / 5-95 % r.h.

**1000 Ohms 12h/day to 1.1V at 21° C / 60% r.h.

Dimensions:

According IEC60086-2 Dec. 2006 (11th Edition)
IEC: PR48

VARTA Microbattery GmbH
Daimlerstraße 1
D 73479 Ellwangen
Tel.: +49 7961 921 0
www.varta-microbattery.com

This data is subject to change without prior notice. Performance information is typical. Contact VARTA for latest information. January 2014