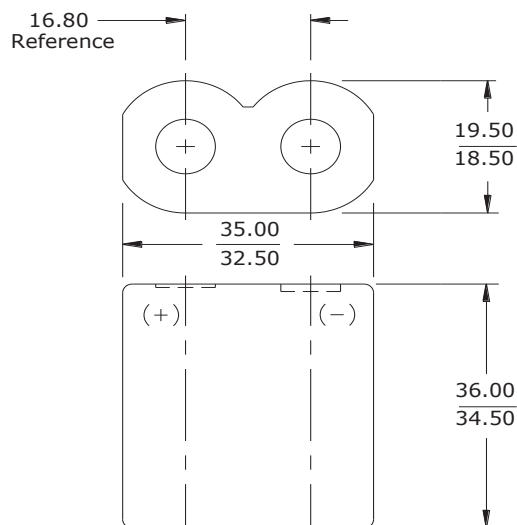


# ENERGIZER 223



## Industry Standard Dimensions (millimeters)

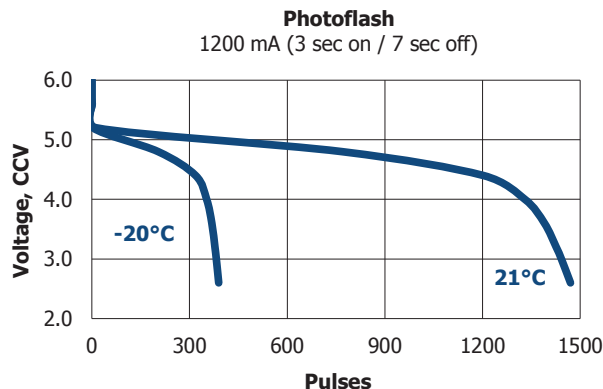
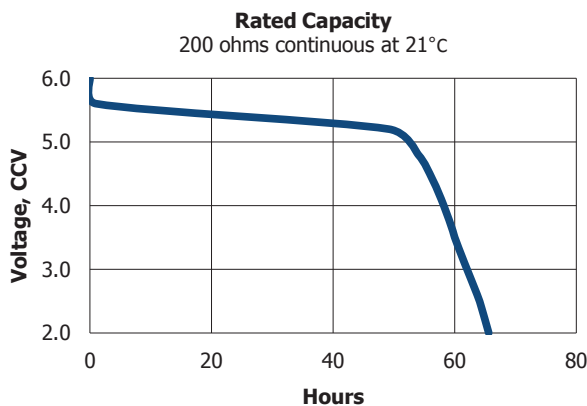


This battery contains a Positive Temperature Coefficient (PTC) safety device to limit current during short circuit conditions.

## Specifications

- Classification:** "Lithium"
- Chemical System:** Lithium / Manganese Dioxide (Li/MnO<sub>2</sub>)
- Designation:** IEC-CR-P2
- Nominal Voltage:** 6.0 Volts
- Storage Temp:** -40°C to 60°C
- Operating Temp:** -40°C to 60°C
- Typical Capacity:** 1500 mAh (to 4.0 volts) (rated at 200 ohms at 21°C)
- Typical Weight:** 37 grams
- Typical Volume:** 24 cubic centimeters
- Max Discharge:** 1500 mA continuous (3500 mA pulse)
- Max Rev Charge:** 2 uA
- Typical Li Content:** 1.15 grams

## Typical Discharge Characteristics



## Simulated Application Tests

Typical Use Performance

Type (time)	Drain (mA)	Load (ohms)	Cutoff Voltage		
			4.0V (21°C) (hours)	3.6V (21°C) (pulses)	3.1V (21°C) (pulses)
Capacity (continuous)	---	200	58	---	---
Photoflash (3 / 27 sec)	900	---	---	---	2000
Photoflash (3 / 27 sec)	1200	---	---	1370	---
Photoflash (3 / 7 sec)	1800	---	---	860	---

### Important Notice

This datasheet contains typical information specific to products manufactured at the time of its publication.  
©Energizer Holdings, Inc. - Contents herein do not constitute a warranty.